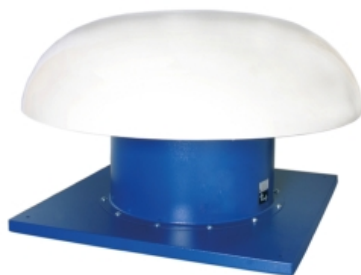


# KIT TE + HM 45 T4 0,55kW (A0:6) 40° (KTE45+26146460640P)

## GENERAL DATA

### AXIAL WITH FIBERGLASS COWL

#### MANUFACTURING FEATURES:



- Roof cowl made of reinforced fibreglass.
- Roof base support and bird protection guard with polyester powder coat finishing.
- Assembled on HM fans.(tubular)
- Variable pitch angle Polypropylene impeller (A2 profile) or polyamide impeller reinforced with fibreglass (other profiles).
- Squirrel cage asynchronous standard motor, IP-55 protection and rated class F insulation. Standard voltages 230V 50Hz for single phase motors, 230/400V 50Hz and for three phase motors up to 4kW and 400/690V 50Hz for higher powers.

#### APPLICATIONS:

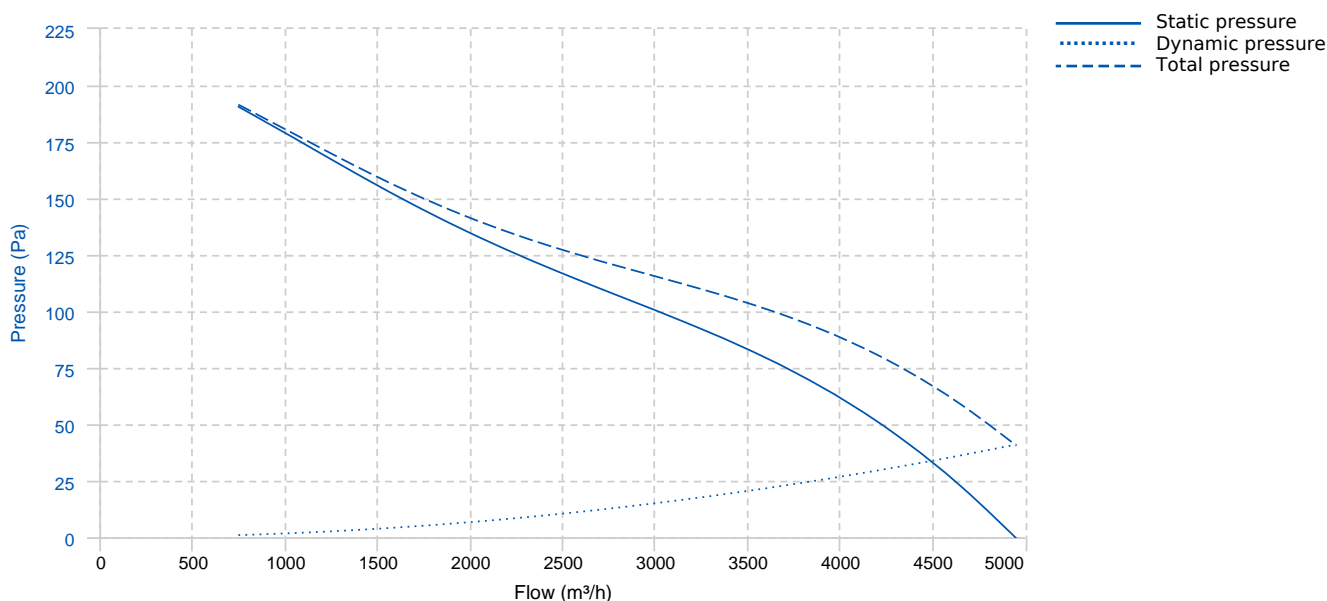
Specially designed for roof installation, they are suitable for:

- Air renewal in buildings and industries.
- Smoke extraction.
- Maximum working temperature: 1ph 50°C, 3ph 60°C.

#### AVAILABLE ON REQUEST

- B form impeller (air flow from impeller to motor)
- Reversible impeller 100%
- Cast aluminium impellers.
- 60Hz fans and special voltages.
- 2 speed motors.
- Hot dip galvanised and stainless steel housings.
- Galvanised steel sheet cowl.

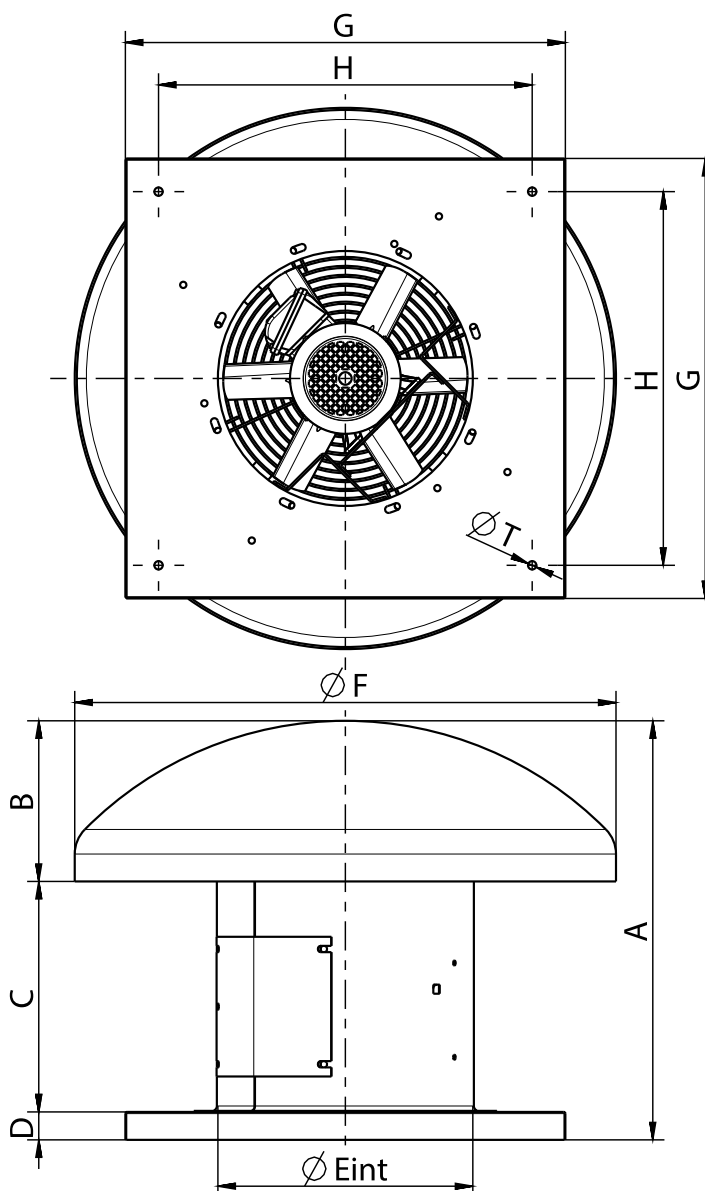
## PERFORMANCE CURVE



## TECHNICAL DATA

Fan							
RPM	1440	Approx. weight	28 kg	Max. Flow	4950 m <sup>3</sup> /h		
Motor							
Power	0,55 kW	RPM	1440	I max. (230V)	2,57 A	I max. (400V)	1,49 A
Size	80	Approx. weight	9 kg	Efficiency (%)	73.5 %		

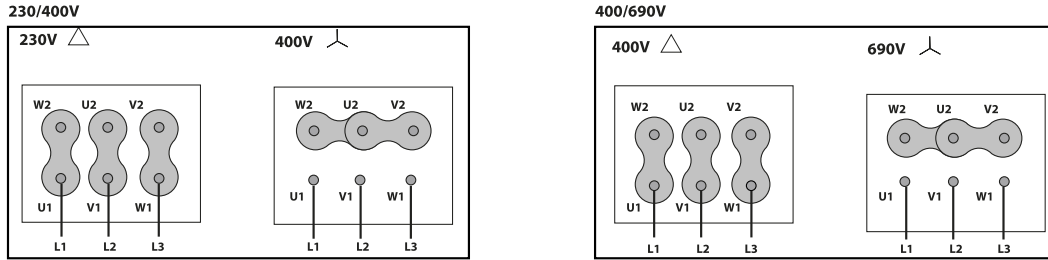
## DIMENSIONS



### Dimensions (mm)

A	715	B	255	C	420	D	40	E	452
F	960	G	710	H	590	T	14		

## WIRING DIAGRAM



## ACCESSORIES